

# The WCCTV HD Fuel Cell Site Tower

WCCTV is the UK's leading provider of rapid-deployment CCTV Towers, specifically designed to provide all-in-one site security for temporary sites such as construction, demolition and highways infrastructure projects.

WCCTV Site Towers provide a highly-visible deterrent, helping to prevent trespass and intrusions on to your sites before they occur, and as truly rapid-deployment security solutions they can be installed and fully operational in a matter of minutes.

## The WCCTV HD Fuel Cell Site Tower

The Fuel Cell Site Tower is an all-in-one site security solution that features the same specifications as the WCCTV Site Tower, but uniquely features a methanol fuel cell cartridge to provide uninterrupted autonomous power for up to 10 weeks before refuel.

Due to the market-leading design of the WCCTV Fuel Cell Site Tower, no external tanks or cages are required to house the fuel.

As an all-in-one surveillance solution, the system contains wireless transmission (4G/3G and Wi-Fi) of video and alarms, a heavy duty infrared, 360° pan, tilt and 36x zoom camera to allow a remote operator to capture images of any potential intruders, audio speakers to enable a remote challenge to occur and local recording capability for the storage of evidential footage.

The WCCTV Fuel Cell Site Tower is a truly rapid-deployment CCTV system, meaning it can be installed and fully-operational in just a matter of minutes ensuring your sites are protected.

Its multiple motion detectors, audio speakers backed by high-end alarm monitoring and response effectively eliminate the need for costly manned-guarding, reducing security costs by up to 75% without compromising on quality or reliability.

As the WCCTV Fuel Cell Site Tower is completely autonomous in terms of both powering and video transmission, it can be installed at practically any location - making it an ideal solution for securing remote or off-grid sites.

## Easy to Install

WCCTV Towers can be rapidly installed on site, and easily moved around a site to meet ever changing needs. There is no requirement for ground or civil works which prevents disruption to any ongoing site works.



## Features & Benefits

- Rapid deployment CCTV tower with fuel cell cartridge power
- Proactive site protection and monitoring
- Environmentally friendly
- Proactive site security
- 150-hour minimum battery back up
- Up to 75% cheaper than manned-guarding
- Wireless detectors provide an invisible perimeter
- Industry-leading ruggedised PTZ camera with IR capability as standard
- Battery back-up activated and alarm raised on power disconnection
- Audio functionality
- Low battery alerts

## Possible Applications

- Construction site security
- Temporary works security
- Utility site security
- Asset protection
- Major public events security
- Cable & metal theft prevention

## Additional Benefits

In addition to providing site security, the WCCTV Tower can also be used as a project management and Health and Safety tool. It is possible for office based personnel to access the cameras during working hours and review the recorded images to solve on-site problems and/or check regulations are being followed by personnel and sub-contractors.

Utilising the additional video output channels on the HD Site Tower also allows for the addition of secondary HD cameras that can be used to produce stunning time lapse videos of your construction or demolition projects.

## Secure Networks

WCCTV work in close partnership with mobile phone operators to provide their own bespoke privately secure networks. These relationships ensure continuity of supply, and also provide cell site upgrade and fault information.

Working closely with network operators also enables WCCTV to ensure its equipment is future-proofed.

## Complete Managed Services

At WCCTV we do much more than just provide security equipment, we provide a full range of services to make our customer's lives as easy as possible.

Managed services we provide include:

- Site surveys, installation and maintenance
- Redeployments
- Alarm monitoring and response (BS8418 approved)
- Performance reporting
- Liaison with third party keyholders
- Mobile Wi-Fi hotspots

## Specifications

### Transit storage mode:

**Length:** 1200mm  
**Width:** 980mm  
**Height:** 2260mm

### Operational mode:

**Length:** 1440mm  
**Width:** 1570mm  
**Height:** 6480mm

For further details on The WCCTV HD Fuel Cell Site Tower please contact our sales offices:-

#### Head Office:

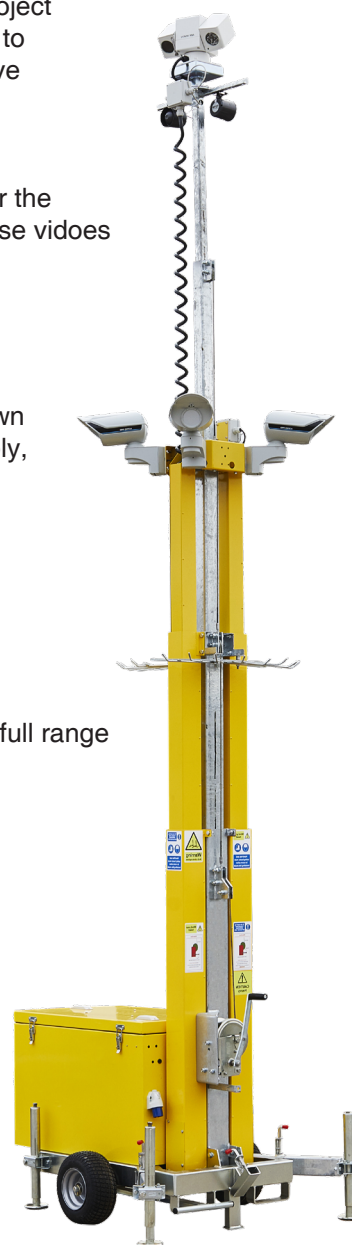
Wireless CCTV Ltd  
 Charles Babbage House,  
 Kingsway Business Park,  
 Rochdale,  
 OL16 4NW

t: +44 (0) 1706 63 11 66  
 f: +44 (0) 1706 63 11 22  
 e: sales@wcctv.com  
 w: www.wcctv.co.uk

#### Southern Office:

Wireless CCTV Ltd  
 Unit 8, Hall Road  
 Maylands Wood  
 Hemel Hempstead  
 HP2 7BH

t: +44 (0) 1442 260 074  
 e: sales@wcctv.com  
 w: www.wcctv.co.uk



INVESTORS IN PEOPLE | Silver